

DATASHEET

RS-HYH41M4E-2
UHF RFID Dry Inlay

KEY DATA

Chip: Monza M4E
Antenna Size: 46 × 30 mm
Format: Dry Inlay, Wet Inlay,
White Paper

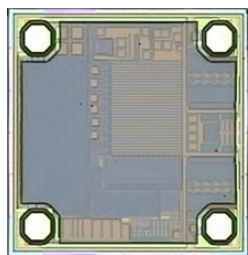


RS-HYH41M4E-2

APPLICATION

Supply Chain & Logistics Management
Warehouse Management

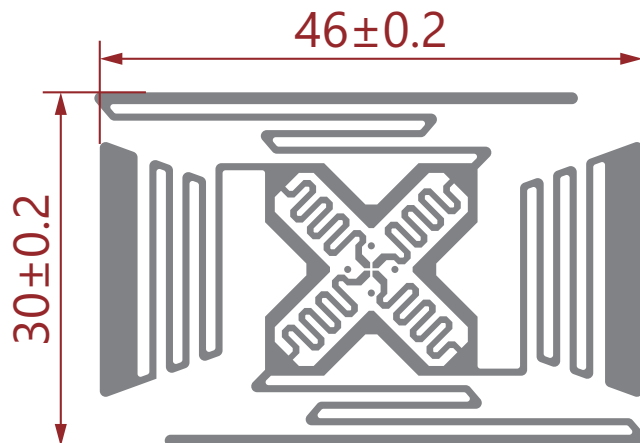
OVERVIEW



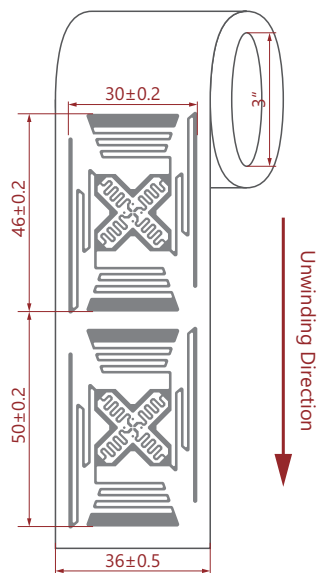
RS-HYH41M4E-2 UHF RFID Dry Inlay is built with Impinj Monza 4E.

Monza 4E tag chips offer up to 496 bits of EPC memory, 128 bits of User memory, and a serialized TID to provide fast access to a larger memory, as well as meet the needs of applications requiring greater than 96 bit EPC numbers. Monza 4E also provides True3D antenna support.

DIMENSIONS

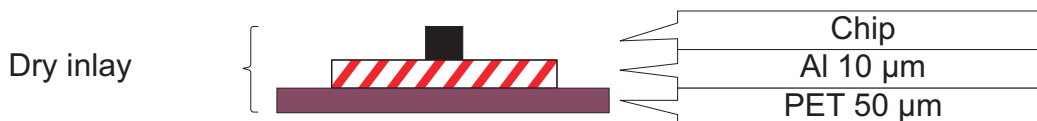


ORIENTATION



Physical characteristics	Dimensions
Antenna size	46 × 30 mm
Inlay pitch	50 mm
PET width	36 mm
Material thickness	Al 10 μ m + PET 50 μ m
Reel detail	Web width: 36 \pm 1.0 mm Inner core diameter: 3" (76.2 mm) Core thickness: 5 \pm 2 mm

STRUCTURE



ELECTRICAL CHARACTERISTICS

Item		Description
Manufacture/IC		Impinj Monza 4E
Base Material		PET
Antenna		Etched Al (10 μm) + PET (50 μm)
Protocol		RAIN RFID / ISO 18000-6C and EPC global Gen2v2 Compliant
Memory	User	128 bits
	TID	48 bits
	EPC	496 bits
	Password	Kill Password - 32 bits Access Password - 32 bits
Frequency		860 ~ 960 MHz
Operating Mode		Passive
IC Life		100,000 Programming cycles, 50years data retention
ESD Voltage Immunity		Max. 2000 V

ENVIRONMENTAL REQUIREMENT

- Operating Temperature/Humidity: -5°C ~ 60°C / 20% ~ 80% RH
- Storage Temperature/Humidity: 20°C ~ 30°C / 20% ~ 60% RH
- Shelf Life: From the date of manufacture, 1 year in anti-static bag at 20°C ~ 30°C / 20% ~ 60% RH, and avoid direct sunlight exposure

PACKAGING

Reference Packing: Static-free bag with zipper; 4000 ± 50 Pcs/roll, 8 rolls/ctn (Actual Qty as per Shipping Mark).

